

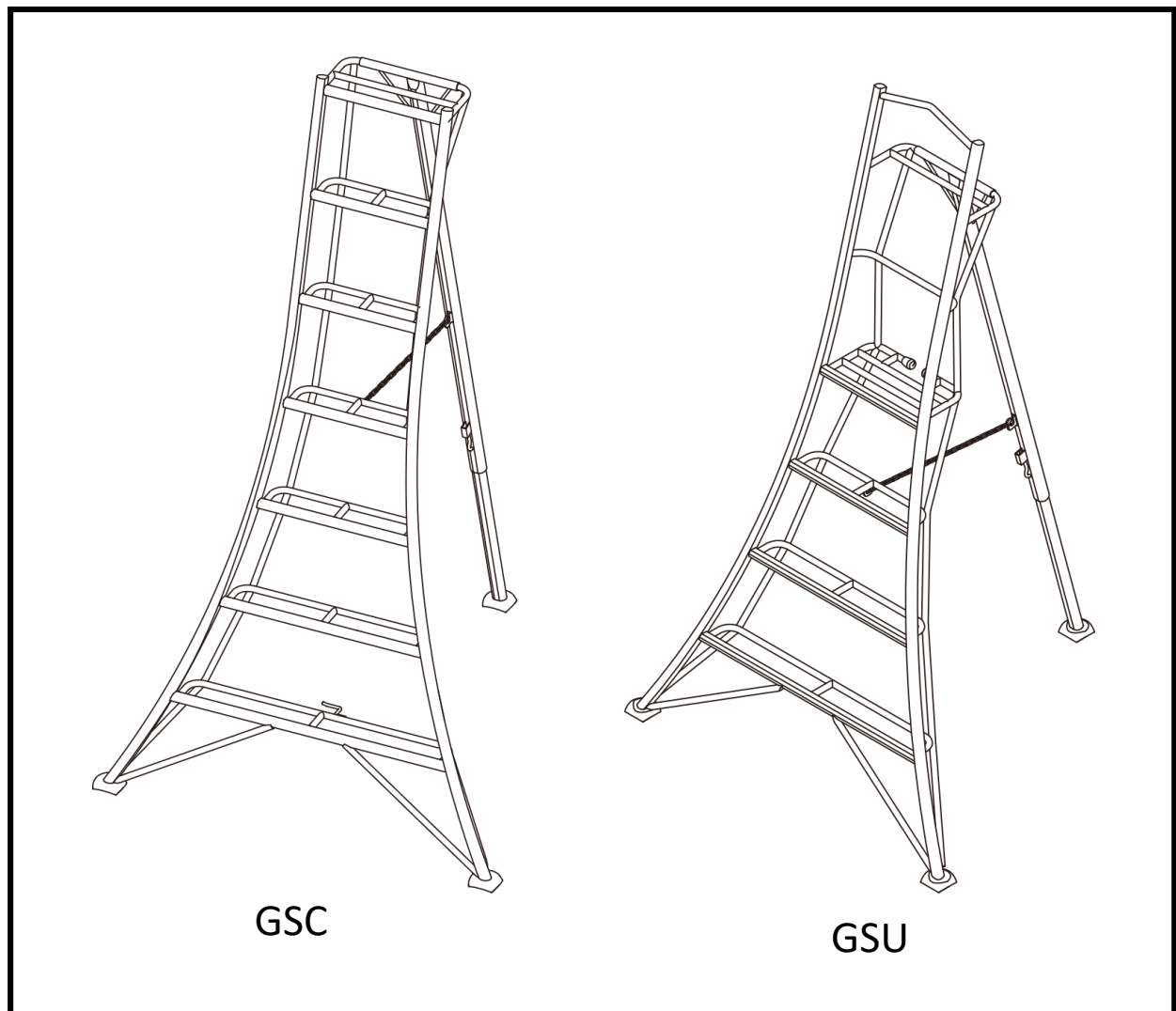


Hasegawa Tripod Ladder Safety and User Guide

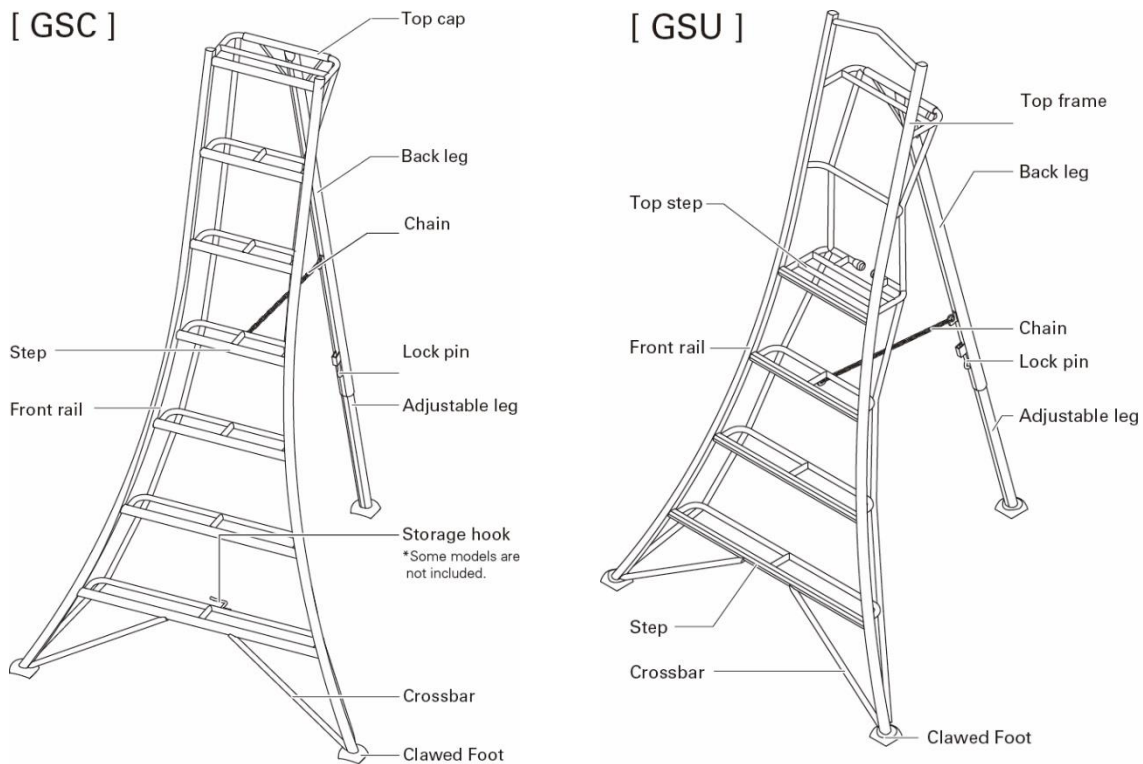
[ENGLISH]

GSC ANSI 300 lbs model

GSU ANSI 300 lbs model



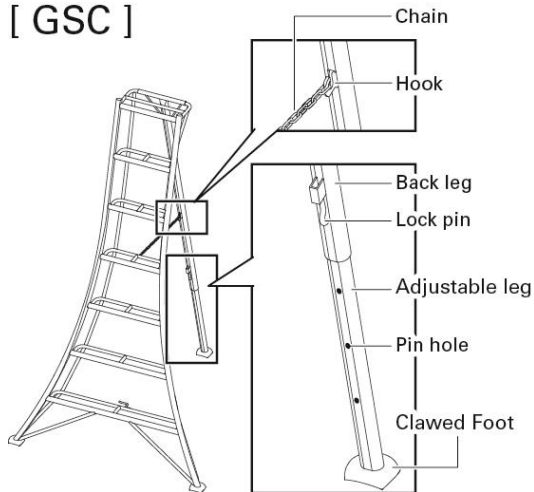
Hasegawa Tripod Ladder Safety and User Guide



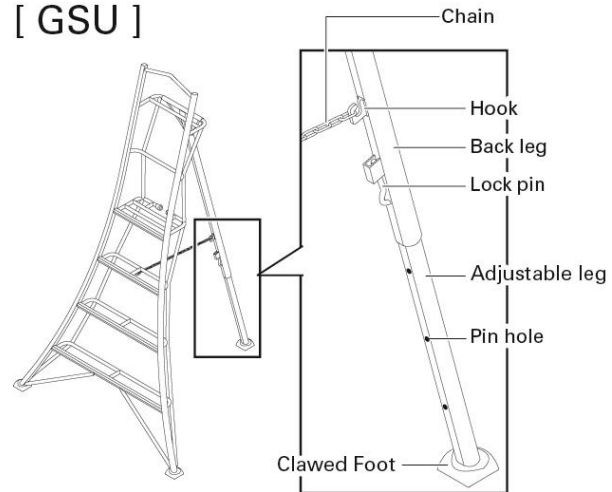
KEY POINTS FOR PROPER USE

- *Do not exceed maximum load capacity of ladder:
300 lbs. for GSC/GSU ANSI models
- *DO NOT modify or attempt to fix or in any way repair the ladder. The overall strength is compromised once the ladder has been damaged, and use of a damaged ladder could result in serious injury or death.
- *DO NOT USE if under the influence of alcohol, medication, or other drugs.
- *Do NOT USE if you are pregnant, weak, ill, or frail.
- *Wear suitable clothing and slip-resistant closed toe shoes.
- *ALWAYS place the ladder where you can maintain proper balance.
- *THIS LADDER CONDUCTS ELECTRICITY. DO NOT ALLOW THE LADDER TO CONTACT ELECTRICAL LINES, WIRES OR CABLES. MAKE CERTAIN there are not any other dangerous materials or objects in the area where you are using the ladder.
- *Before climbing the ladder, MAKE CERTAIN that the spring-loaded safety pin is securely locked into the selected hole in the back leg and that the chain is fully extended and latched properly on the back leg so it cannot come undone. See pictures below.
- *It is important for safe use that all instructions and warnings be complied with by users.

[GSC]



[GSU]



BEFORE EACH USE

*Before using the ladder for the first time, remove all the buffer materials and wrapping that cover the clawed feet and other parts.

*Inspect ladder for damage. **DO NOT USE** if damaged. Examples of ladder damage include:

- *Bent, dented or twisted legs or steps
- *Damage to welded joints
- *Damage to spring pin, chain, or safety hook
- *Loose or damaged feet

*Inspect the ladder and ensure that all parts are in good working order. Be sure to do each of the following:

1. Check each step to make sure it is stable by trying to twist them. **DO NOT USE** if any step is unstable.
2. Ensure that all movable parts work properly. **DO NOT USE** if any parts do not work properly.

*If there is corrosion or stiffness in the moveable parts, lubricate, but **DO NOT USE** if parts remain stiff or unusable.

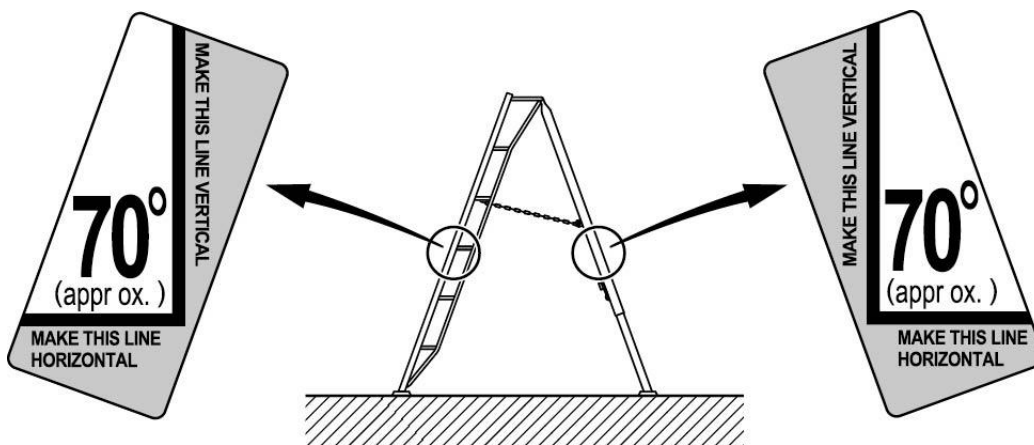
*Ensure that the safety chain is firmly attached to the main body of the ladder and can be attached to the safety hook on the back leg.

*Ensure that the extendable back leg and locking spring pin are operating properly. If not, **DO NOT USE**.

*Ensure the back leg can open and close smoothly. If movement is not smooth, check for mud, dirt, or other substances, which must be removed.

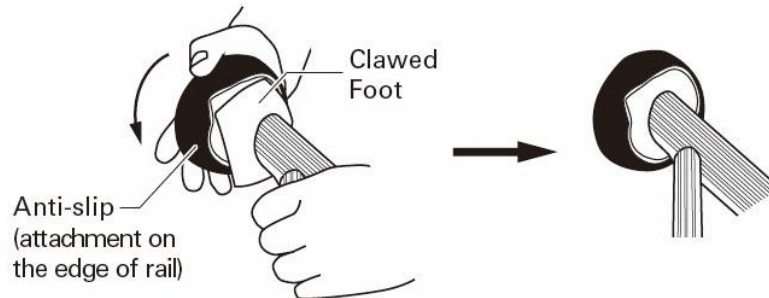
PROPER LADDER SETUP

- *CAUTION: Be careful when opening, closing, and setting up the ladder. Rough handling may cause deformation and damage the ladder.
- *Lay the ladder down in the closed position with the back leg on top facing up.
- *Release the back leg from the hook (or other retainer) so the back leg can move freely.
- *While the ladder is still on the ground, adjust the length of the back leg so it is roughly the same length as the front legs and make certain the spring pin is firmly in position.
- *With both hands, pick the ladder up from the ground and raise it to a vertical position in front of you, with the feet of the ladder pointing to the ground.
- *Open the ladder, and then adjust the back leg to the safe length for the work to be performed and ensure spring loaded safety pin is firmly seated in selected hole in the back leg.
- * Ensure the front legs and back leg are at the same angle to the ground: (70 degrees for GSC/GSU ANSI model. Use the angle indicator line label affixed to the ladder, such that the vertical line is straight up and down, and the horizontal line is straight across.



- *With the three legs on the ground, ensure two pin holes are visible in the back leg with retaining pin firmly seated in third pin hole.
- *Always keep the back leg centered between the two front legs.
- *Always keep the front and back legs at the proper angle: 70 degrees for GSC/GSU ANSI model.
- *Always keep the chain fully extended with no slack between the front and back legs.
- *If using on a hard surface or indoors, the rubber accessory kit **MUST BE INSTALLED** on the ladder feet.

INSTALLATION OF RUBBER FOOT COVER



*The rubber cover should be installed and used whenever a foot is on a hard surface, such as asphalt, or indoors.

*If the surface type is not uniform during set up, the rubber cover should still be used whenever a foot is on a hard surface.

*The rubber cover can wear out with use. DO NOT USE if worn out or cracked.

*Replacement rubber covers are available for purchase.

*The rubber foot cover is to be used on Hasegawa tripod ladders only.

*DO NOT USE this rubber foot cover on other manufacturers' ladders or products other than the Hasegawa tripod ladders.

A video demonstrating proper ladder setup can be viewed at:

<https://www.youtube.com/watch?v=0gAShs9AVGI>



USING THE LADDER

*If the ladder is longer than 10 feet (3 meters), too heavy for the user, or difficult to maneuver, two people should be involved. When being used the second person should stabilize the ladder by holding the front legs while the other is climbing it.

*Only one person can use the ladder at a time.

*Make sure you wear slip-resistant and clean shoes. Leather soles should not be used.

*DO NOT wear loose fitting clothing or jewelry.

*Watch out for overhead cables, electrical lines, and any other obstructions.

- *DO NOT extend the chain with rope or more chain.
- *DO NOT stand higher than third step from the top (for GSC).
- *DO NOT straddle, put a foot, or climb on the upper frame (for GSU).



- *DO NOT USE on hard surfaces without rubber accessory kit installed.
- *DO NOT USE on slippery or unstable surfaces, such as very soft ground, on ice, sand, fallen leaves, or other unstable material.
- *DO NOT USE in thunder and lightning conditions.
- *DO NOT USE in wet or windy weather.
- *DO NOT USE in the dark or in poor visibility.
- *DO NOT USE the ladder by leaning against trees or walls
- *DO NOT place any object under the feet to make the ladder level or to add height.
- *Always face the ladder and use both hands and feet when ascending and descending.
- *NEVER stand or climb higher than the third step from the top of the GSC ladder (second step for ladders shorter than 6 feet (2 meters)).
- *Lean your body against the steps to gain a better balance and work safely.
- *Stand in the center of the step when working on the ladder and do not lean to the side of the ladder or reach behind you.
- *When ascending or descending the ladder, carefully step on each step, one by one, until you reach the desired safe working height (or the ground if descending), and DO NOT RUSH.
- *Maintain a firm grip, and use both hands when climbing.
- *When using the ladder on a slope, carefully adjust the back leg length appropriately depending on the slope. Always work into the slope.



*Vary the length of Adjustable leg and make Steps horizontal.

*Keep ladder close to your work; avoid pushing or pulling to the side of ladders.
***Always maintain three points of contact with the ladder.** For example, two hands and a foot, or two feet and a hand contact on the ladder.

*NEVER climb onto or off the ladder from the side unless the ladder is secured against side wise motion.

*DO NOT OVERREACH.

*DO NOT MOVE THE LADDER OR ATTEMPT TO “WALK” THE LADDER WHILE ON IT.

*DO NOT pull or hang onto branches or climb from ladder to a tree.

*DO NOT climb, descend, or stand on the ladder while facing away from the ladder.

*DO NOT use two ladders to make a platform.

*DO NOT use ladder as a trestle.

*DO NOT hang anything from the ladder as this can make the ladder unbalanced or cause damage to the ladder.

*DO NOT place in front of unlocked doors.

*If working in an area with foot traffic, places barriers around the ladder to warn people of its presence.

*DO NOT lean backwards away from the ladder when ascending or descending the ladder.

*DO NOT jump from the ladder.

*To protect children, DO NOT leave a ladder set up and unattended.

*Take breaks to avoid fatigue, if you are using the ladder for an extended period of time.

FOLDING THE LADDER

*Secure the back leg with the retaining bracket.

*Keep the back leg facing upward while laying the ladder down on the ground when it is folded.

*Always be gentle and careful when folding and unfolding the ladder. Rough handling may cause damage and deformation on the ladder.

LADDER MAINTENANCE

- *Always keep the ladder clean and free of substances such as grease, oil, petroleum products, mud, water, lime, and salt water.
- *When oil or dirt is stuck on the ladder, use a cleaner or detergent to wipe it completely off, ensuring the ladder is fully dry and not slippery before using.
- *DO NOT leave the ladder with any cleaner or detergent on it because this may cause corrosion of the ladder.

STORAGE

- *Store the ladder in a safe and dry place, out of direct sunlight and rain. Dry the ladder thoroughly before storage.
- *NEVER store materials on the ladder or stack them, as this may cause damage to the ladder.
- *NEVER store the ladder near any chemicals, cement or lime products, as this may cause corrosion due to a chemical reaction.

TRANSPORTING LADDER

- *Always secure the back leg in the retaining bracket before transporting.
- *When hand carrying, do not carry by holding the back leg.
- *When carrying, always be aware of what is around you, especially when turning, to avoid injury to persons or damage to property.
- *When strapping onto a vehicle, do not pull strap down too tight over the back leg, as this could cause damage, but ensure ladder is secured at several points for safe transport.

Hasegawa USA Inc.

Hasegawa Ladders

www.hasegawaladders.com

25.04.HK